

AVANT[®]

Zoom snow plow ser.2

Varaosakirja
Parts Manual
Dellista
Ersatzteilliste



Product no. A450707

5/2023

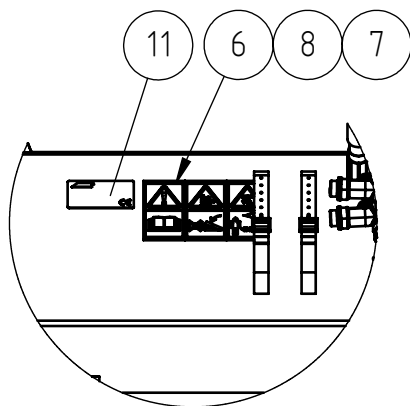
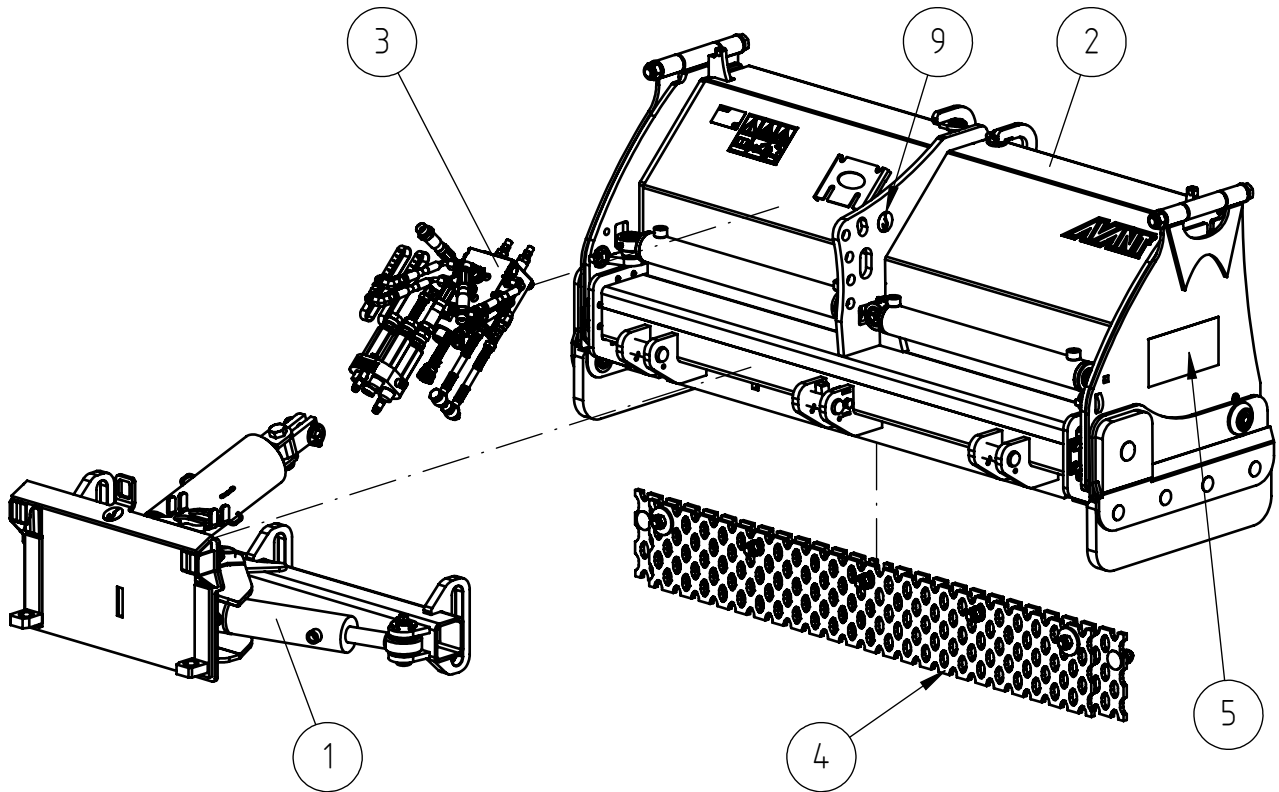
24.5.2023

Table Of Contents

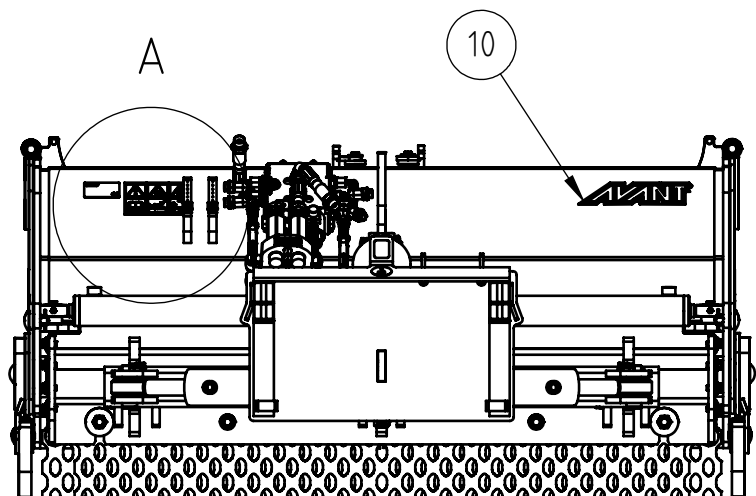
A450707	ZOOM SNOW PLOW SERIES 2		4
A450831	BLADE TURNING SYSTEM ZOOM SNOW PLOW SER2		6
A410045	PIVOT PIN L=75		8
A450832	FRAME ASSEMBLY, ZOOM SNOW PLOW SER2		10
A425679	SIDE WING LEFT, ZOOM SNOW PLOW		12
A425688	END PLATE LEFT ASSEMBLY ZOOM SNOW PLOW		14
A425179	SIDE WING RIGHT, ZOOM SNOW PLOW		16
A425252	END PLATE RIGHT ASSEMBLY ZOOM SNOW PLOW		18
A422810	PIVOT PIN F30-99		20
A450830	HYDRAULIC COMPONENTS ZOOM SNOW PLOW SER2		22
65250	MULTI CONNECTOR, 3 CONNECTORS ON ATTACHM		24
A444615	ICE SCRAPER EDGES, KIT, ZOOM SNOW PLOW		26
A437890	ICE SCRAPER BLADES, KIT, ZOOM SNOW PLOW	*Option	28
A437891	PLAIN CUTTING EDGE, KIT, ZOOM SNOW PLOW	*Option	30
A431475	RUBBER CUTTING EDGES, KIT, ZOOM SNOW	*Option	32

24.5.2023

A450707 ZOOM SNOW PLOW SERIES 2



DETAIL A
SCALE 1 : 8



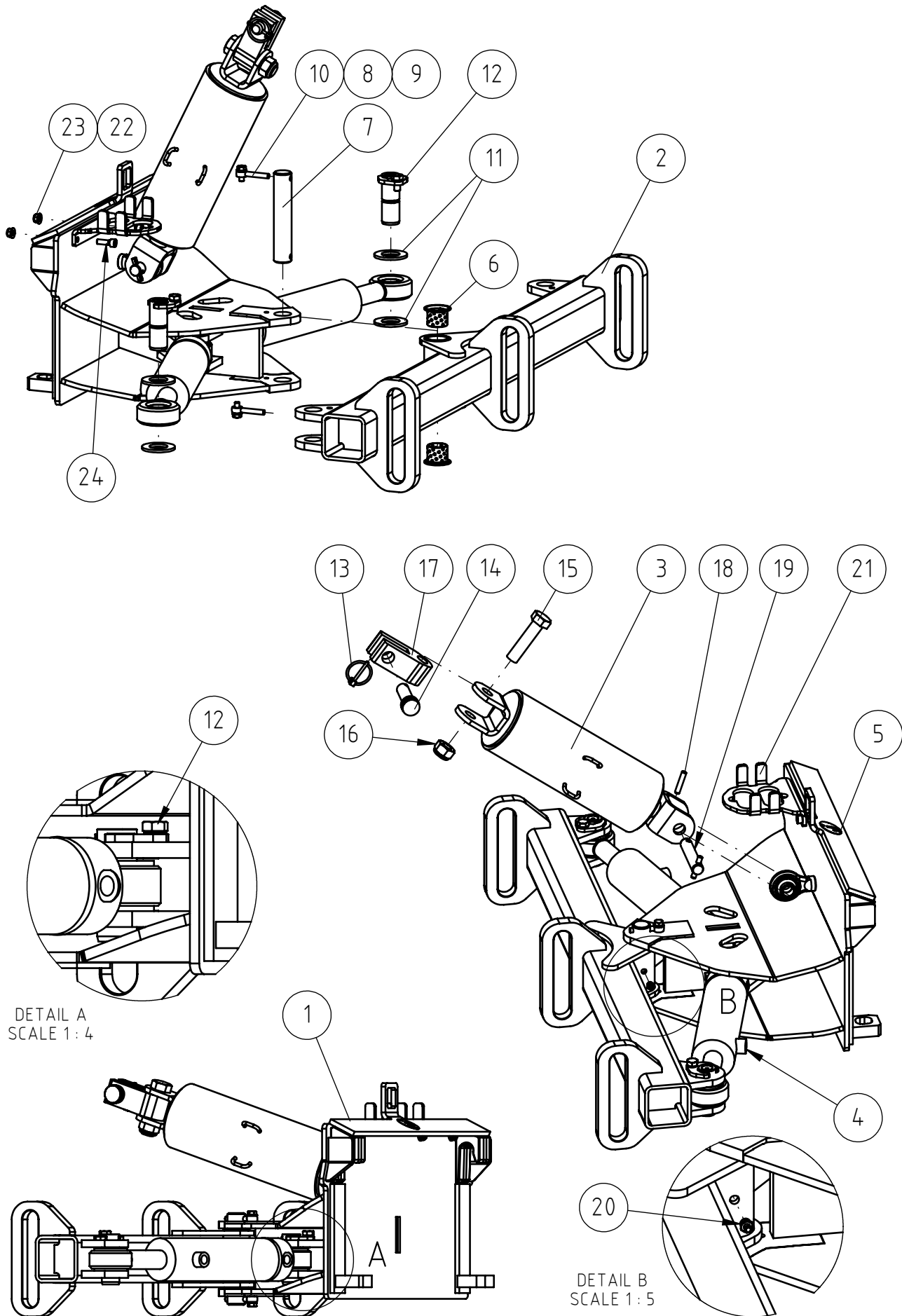
24.5.2023

A450707 ZOOM SNOW PLOW SERIES 2

REF	PART NO	QTY	DESCRIPTION	NOTES	PAGE
1	A450831	1	BLADE TURNING SYSTEM ZOOM SNOW PLOW SER2		6
2	A450832	1	FRAME ASSEMBLY, ZOOM SNOW PLOW SER2		10
3	A450830	1	HYDRAULIC COMPONENTS ZOOM SNOW PLOW SER2		22
4	A444615	1	ICE SCRAPER EDGES, KIT, ZOOM SNOW PLOW		26
5	A431243	2	DECAL RIGHT SIDE ZOOM SNOW PLOW		-
6	A46771	1	DECAL PICTOGR. READ OPERATORS MANUAL		-
7	A46772	1	DECAL PICTOGR. NEVER GO UNDER UPLIFTED..		-
8	A46803	1	DECAL PICTOGRAM DO NOT REACH OUT...		-
9	A410132	1	DECAL PICTOGRAM LIFTING POINT		-
10	A44007	1	DECAL AVANT 60*225 RED/BLACK/SILVER		-
11	A452070	1	TYPE PLATE ZOOM SNOW PLOW SERIES 2		-

24.5.2023

A450831 BLADE TURNING SYSTEM ZOOM SNOW PLOW SER2



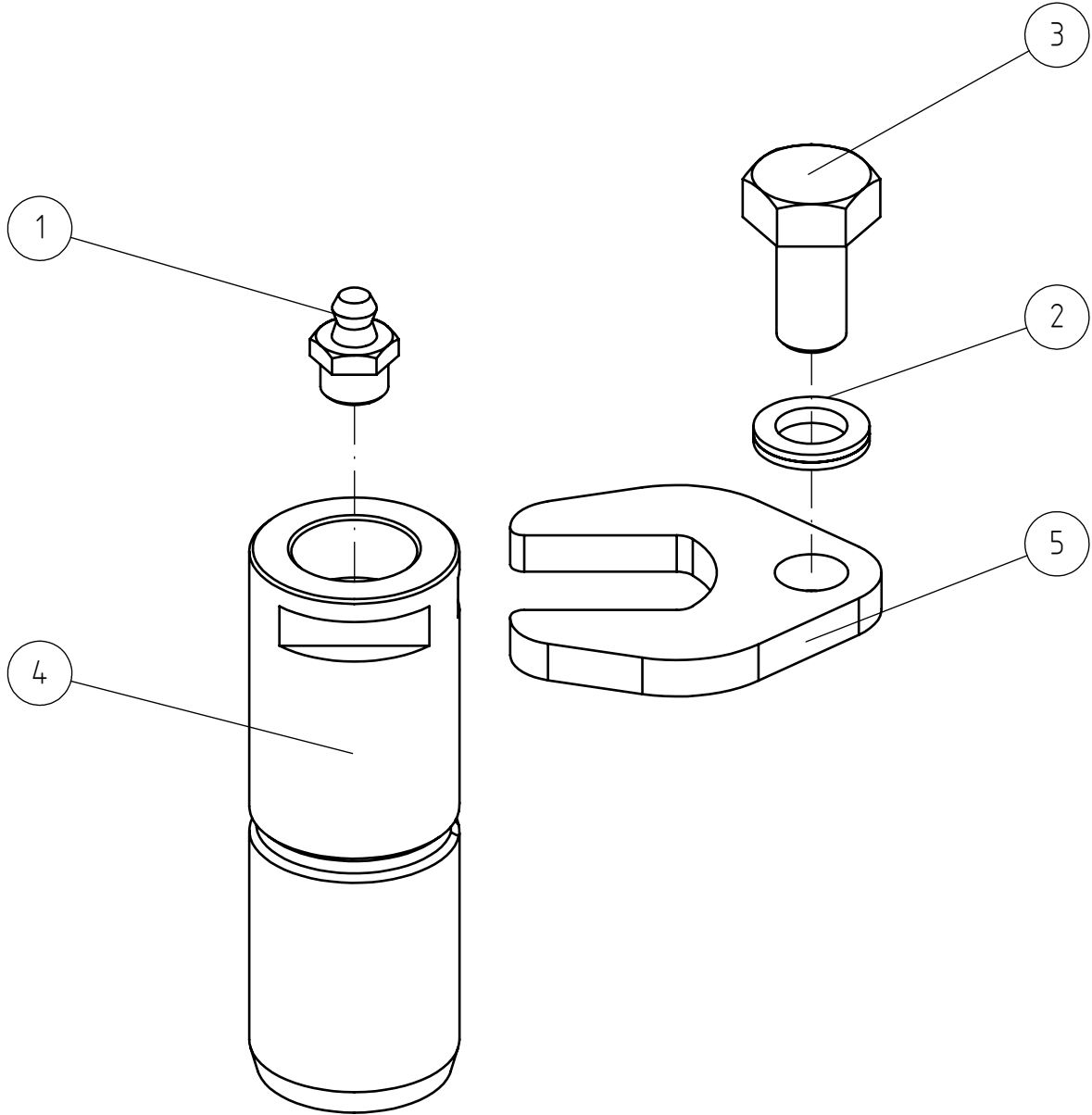
24.5.2023

A450831 BLADE TURNING SYSTEM ZOOM SNOW PLOW SER2

REF	PART NO	QTY	DESCRIPTION	NOTES	PAGE
1	A452874	1	ATTACHMENT COUPLING PLATE ZOOM SNOW PLOW		-
2	A450836	1	PIVOTING FRAME ZOOM SNOW PLOW SER2		-
3	A451046	1	SPRING RELEASE MECHANISM ZOOM SNOW PLOW		-
4	A43672	2	HYDR. CYLINDER F63/F32*150 TILT CYL.		-
4.1	A418395	1	SEAL KIT, 63/32 CYLINDER		-
4.2	64273	2	ARTICUL. BEARING GE30ESF47/30-22(18)		-
5	A410132	1	DECAL PICTOGRAM LIFTING POINT		-
6	65044	2	SLIDE BEARING F34/F30-30		-
7	A451544	1	PIVOT PIN D19 L=159		-
8	72130	2	HEXAGONAL SCREW M8*20		-
9	63944	2	WASHER, PAIR, NORD-LOCK M8		-
10	A416480	2	EYE BOLT WITHOUT THREAD F8-50		-
11	74435	8	WASHER M30 A31 DIN 125 ZN		-
12	A410045	4	PIVOT PIN L=75		8
13	71725	1	LINCH PIN 4,5 MM		-
14	A49461	1	PIN		-
15	74841	1	HEXAGONAL SCREW M20*80 DIN 933		-
16	72335	1	HEXAGONAL NUT M20 DIN 985 NYLOC		-
17	A427342	1	CROSS JOINT SPRING RELEASE ZOOM SNOW PLO		-
18	71774	2	SPRING COTTER PIN 8*40 DIN 1481		-
19	A417041	1	PIN F19 L=108		-
20	72798	1	GREASE NIPPLE R 1/8" STRAIGHT		-
21	A418927	1	HOLDER FOR MULTI CONNECTOR, ON		-
22	73122	2	WASHER M8 A8,4 DIN 125 ZN		-
23	72320	2	HEXAGONAL NUT M8 NYLOC DIN 985		-
24	71884	2	HEXAGONAL HEAD SCREW M 8*25 DIN 912 2		-

24.5.2023

A410045 PIVOT PIN L=75



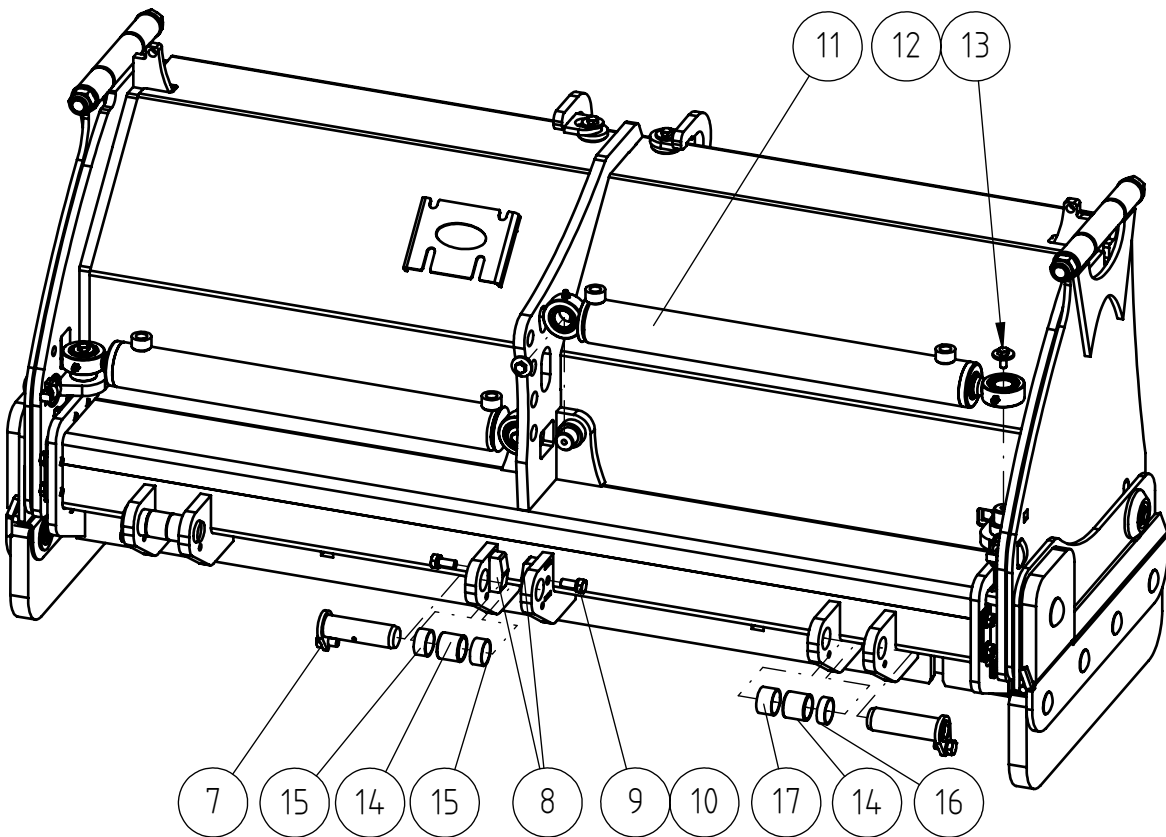
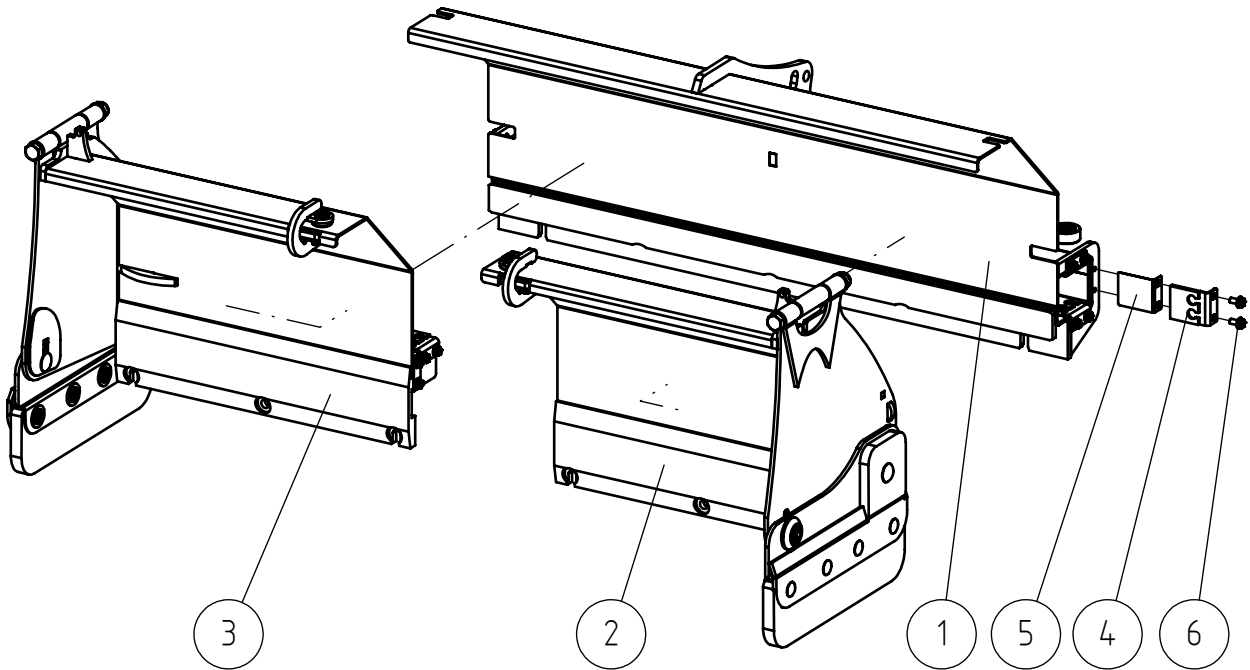
24.5.2023

A410045 PIVOT PIN L=75

REF	PART NO	QTY	DESCRIPTION	NOTES	PAGE
1	72798	1	GREASE NIPPLE R 1/8" STRAIGHT		-
2	74531	1	SPACER NORDLOCK M10, PAIR		-
3	73040	1	HEXAGONAL SCREW M10*20 DIN 933 ZN		-
4	A417951	1	PIVOT PIN F30 L=75		-
5	A417952	1	LOCKING PLATE, PIVOT PIN		-

24.5.2023

A450832 FRAME ASSEMBLY, ZOOM SNOW PLOW SER2



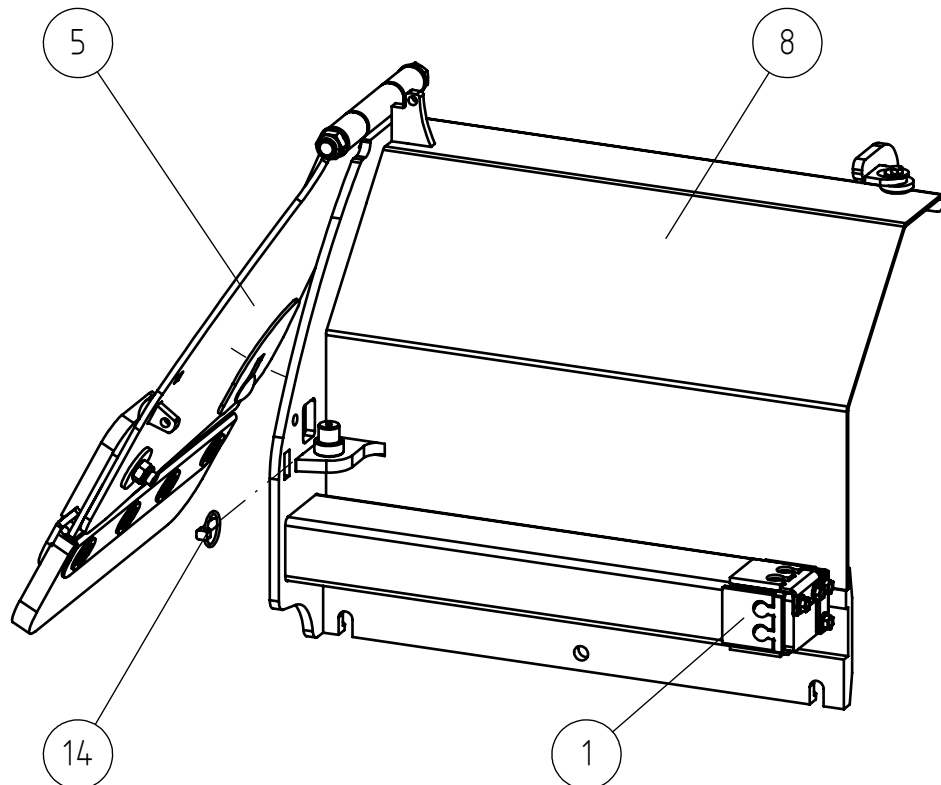
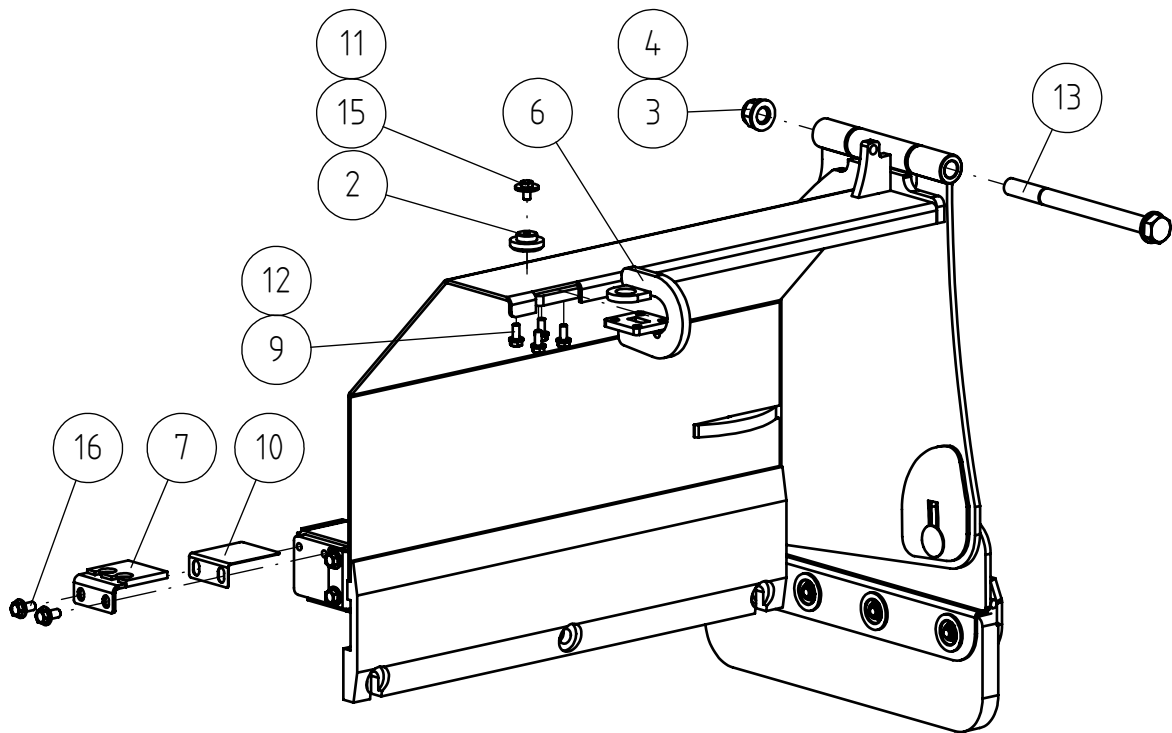
24.5.2023

A450832 FRAME ASSEMBLY, ZOOM SNOW PLOW SER2

REF	PART NO	QTY	DESCRIPTION	NOTES	PAGE
1	A450833	1	FRAME ZOOM SNOW PLOW SER2		-
2	A425679	1	SIDE WING LEFT, ZOOM SNOW PLOW		12
3	A425179	1	SIDE WING RIGHT, ZOOM SNOW PLOW		16
4	A425089	6	WEAR PAD ASSEMBLY, ZOOM SNOW PLOW		-
5	A425595	6	ADJUSTMENT PLATE WEAR PAD ZOOM SNOW PLOW		-
6	A432196	12	HEXAGONAL SERRATED SCREW M10*20 W. FLANG		-
7	A422810	3	PIVOT PIN F30-99		20
8	A451559	2	GUIDE PIECE, FRAME ZOOM SNOW PLOW SER2		-
9	72150	2	HEXAGONAL SCREW M10*25 DIN 933 ZN		-
10	74531	2	SPACER NORDLOCK M10, PAIR		-
11	A425355	2	HYDRAULIC CYLINDER F50/F25-450		-
11.1	64769	1	ARTICUL. BEARING GE25ES F42/25-20(16)		-
11.2	A418399	1	SEAL KIT, 50/25 CYLINDER		-
12	71685	4	WASHER M8 R9 DIN 440 ZN		-
13	72130	4	HEXAGONAL SCREW M8*20		-
14	A458969	3	ROLLER BEARING 30X35X30		-
15	A458970	2	BUSHING 35X2X16		-
16	A460477	2	BUSHING 35X2X11		-
17	A460478	2	BUSHING 35X2X21		-

24.5.2023

A425679 SIDE WING LEFT, ZOOM SNOW PLOW



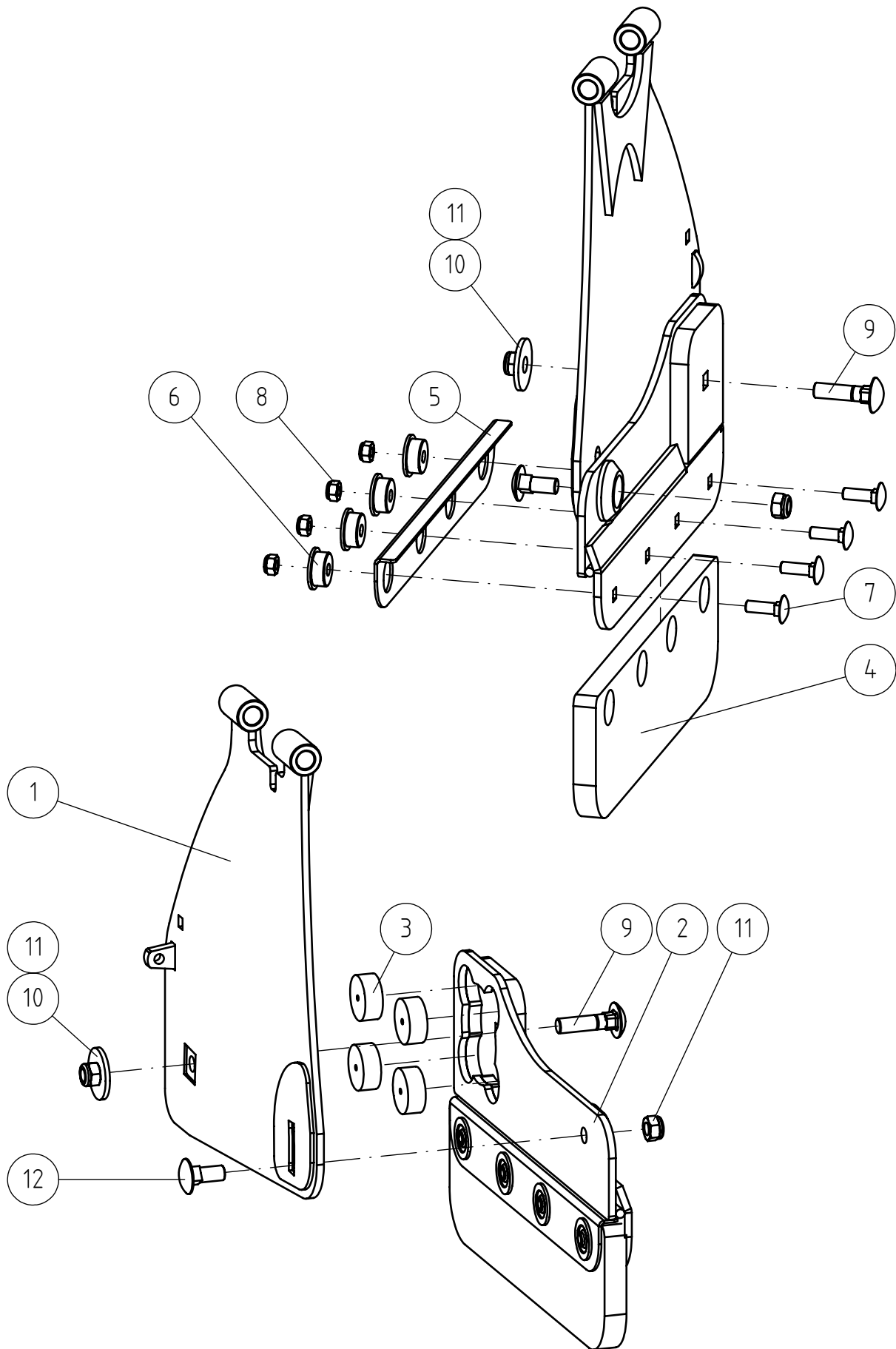
24.5.2023

A425679 SIDE WING LEFT, ZOOM SNOW PLOW

REF	PART NO	QTY	DESCRIPTION	NOTES	PAGE
1	A425088	2	WEAR PAD ZOOM SNOW PLOW		-
2	A425613	1	WEAR PAD SIDE WING ZOOM SNOW PLOW		-
3	72335	1	HEXAGONAL NUT M20 DIN 985 NYLOC		-
4	73123	2	WASHER M20 DIN 125 ZN		-
5	A425688	1	END PLATE LEFT ASSEMBLY ZOOM SNOW PLOW		14
6	A425681	1	MOUNTING BRACKET WEAR PAD ZOOM SNOW PLOW		-
7	A425089	2	WEAR PAD ASSEMBLY, ZOOM SNOW PLOW		-
8	A425682	1	SIDE WING LEFT, ZOOM SNOW PLOW		-
9	72130	4	HEXAGONAL SCREW M8*20		-
10	A425595	2	ADJUSTMENT PLATE WEAR PAD ZOOM SNOW PLOW		-
11	71685	1	WASHER M8 R9 DIN 440 ZN		-
12	63944	4	WASHER, PAIR, NORD-LOCK M8		-
13	A425325	1	HEXAGONAL SCREW M20*260 DIN 931		-
14	71727	1	LINCH PIN 9,5 MM		-
15	73039	1	HEXAGONAL SCREW M 8*16 DIN 933 ZN		-
16	A432196	4	HEXAGONAL SERRATED SCREW M10*20 W. FLANG		-

24.5.2023

A425688 END PLATE LEFT ASSEMBLY ZOOM SNOW PLOW



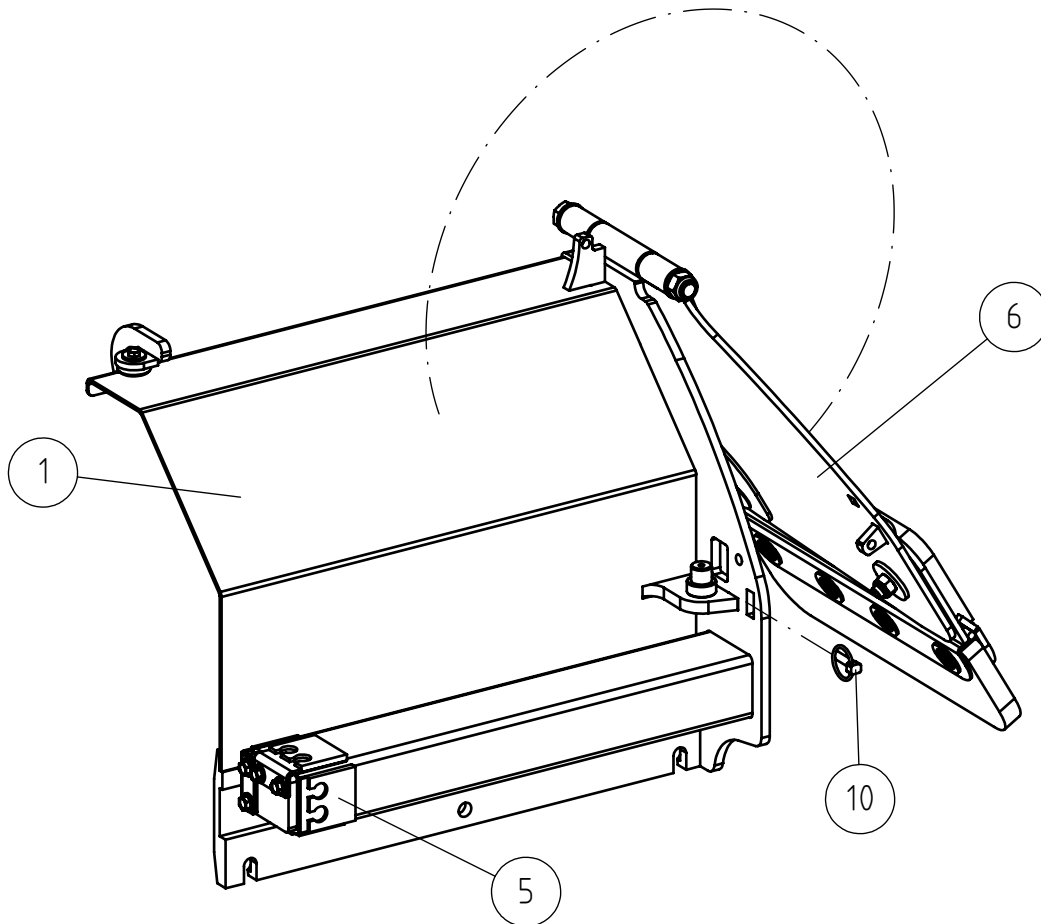
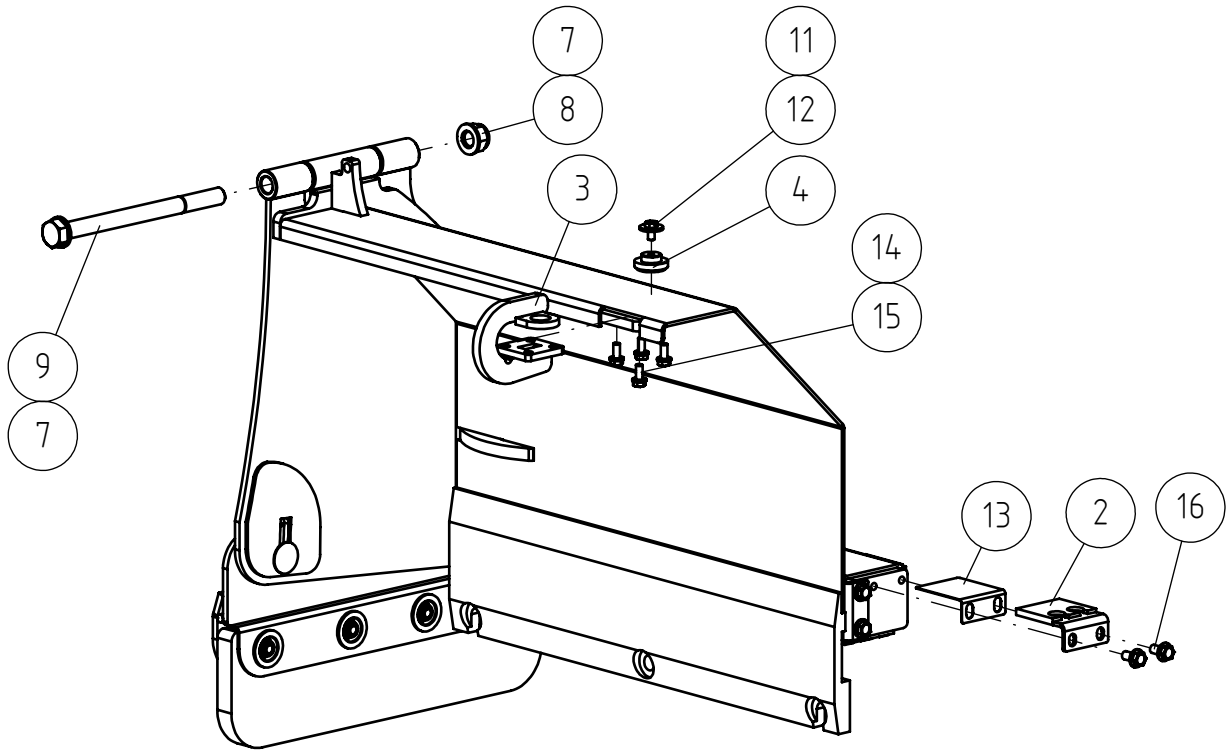
24.5.2023

A425688 END PLATE LEFT ASSEMBLY ZOOM SNOW PLOW

REF	PART NO	QTY	DESCRIPTION	NOTES	PAGE
1	A425683	1	END PLATE LEFT ZOOM SNOW PLOW		-
2	A425689	1	SKID PLATE END PLATE LEFT ZOOM SNOW PLOW		-
3	A425211	4	RUBBER MOUNT ZOOM SNOW PLOW		-
4	A425225	1	CUTTING EDGE END PLATE ZOOM SNOW PLOW		-
5	A425265	1	MOUNTING PLATE RUBBER EDGE ZOOM SNOW PLO		-
6	A425266	4	BUSHING		-
7	74915	4	CARRIAGE BOLT M12*40 DIN603		-
8	72324	4	HEXAGONAL NUT M 12 NYLOC DIN 985		-
9	A433453	1	CARRIAGE BOLT M16*65 DIN603		-
10	74456	1	WASHER M16 R18 DIN 440 ZN		-
11	72330	2	HEXAGONAL NUT M16 NYLOC DIN 985		-
12	74910	1	CARRIAGE BOLT M16*40 DIN603		-

24.5.2023

A425179 SIDE WING RIGHT, ZOOM SNOW PLOW



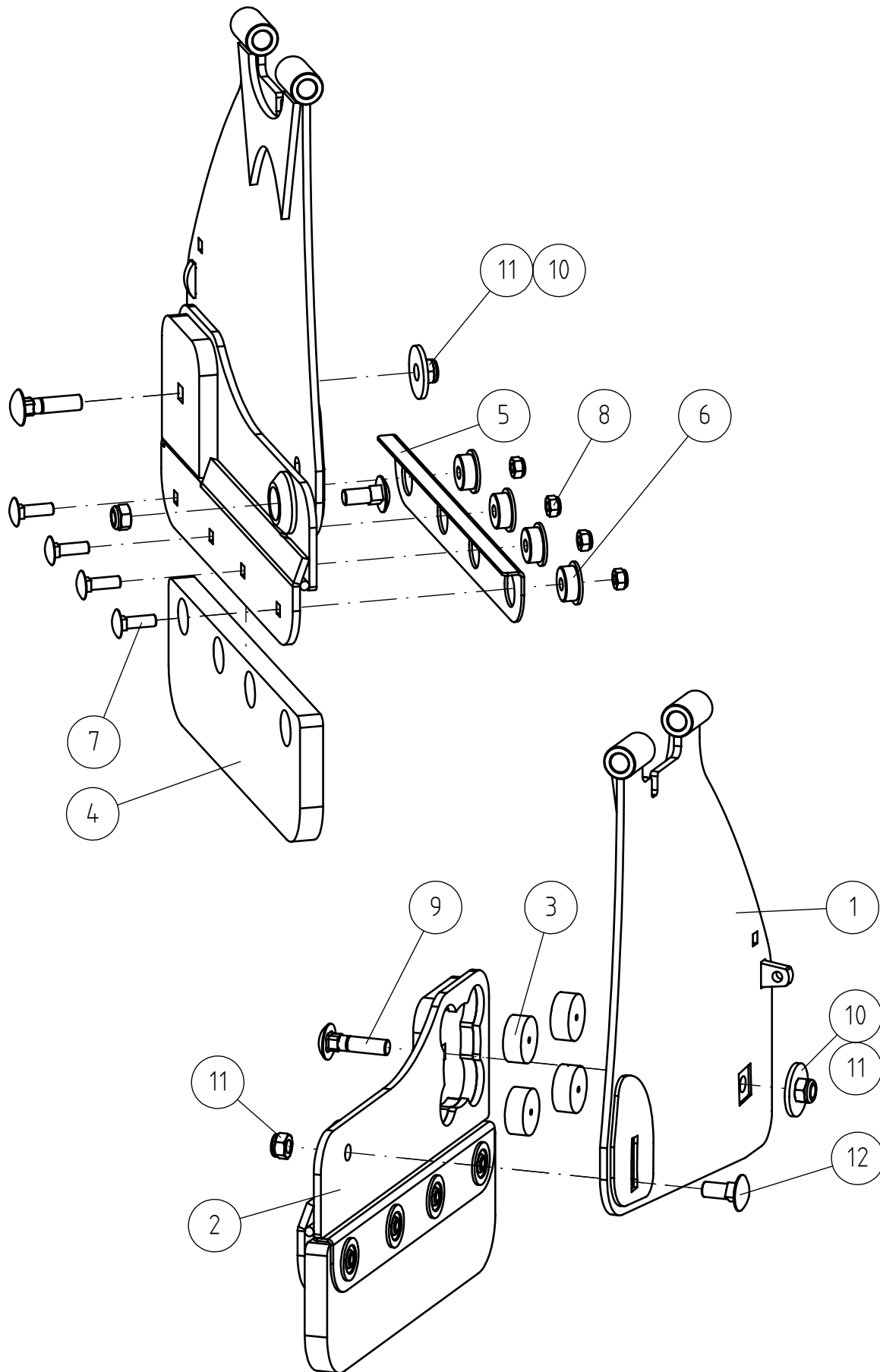
24.5.2023

A425179 SIDE WING RIGHT, ZOOM SNOW PLOW

REF	PART NO	QTY	DESCRIPTION	NOTES	PAGE
1	A425177	1	SIDE WING RIGHT, ZOOM SNOW PLOW		-
2	A425089	2	WEAR PAD ASSEMBLY, ZOOM SNOW PLOW		-
3	A425188	1	MOUNTING BRACKET WEAR PAD ZOOM SNOW PLOW		-
4	A425613	1	WEAR PAD SIDE WING ZOOM SNOW PLOW		-
5	A425088	2	WEAR PAD ZOOM SNOW PLOW		-
6	A425252	1	END PLATE RIGHT ASSEMBLY ZOOM SNOW PLOW		18
7	73123	2	WASHER M20 DIN 125 ZN		-
8	72335	1	HEXAGONAL NUT M20 DIN 985 NYLOC		-
9	A425325	1	HEXAGONAL SCREW M20*260 DIN 931		-
10	71727	1	LINCH PIN 9,5 MM		-
11	71685	1	WASHER M8 R9 DIN 440 ZN		-
12	73039	1	HEXAGONAL SCREW M 8*16 DIN 933 ZN		-
13	A425595	2	ADJUSTMENT PLATE WEAR PAD ZOOM SNOW PLOW		-
14	63944	4	WASHER, PAIR, NORD-LOCK M8		-
15	72130	4	HEXAGONAL SCREW M8*20		-
16	A432196	4	HEXAGONAL SERRATED SCREW M10*20 W. FLANG		-

24.5.2023

A425252 END PLATE RIGHT ASSEMBLY ZOOM SNOW PLOW



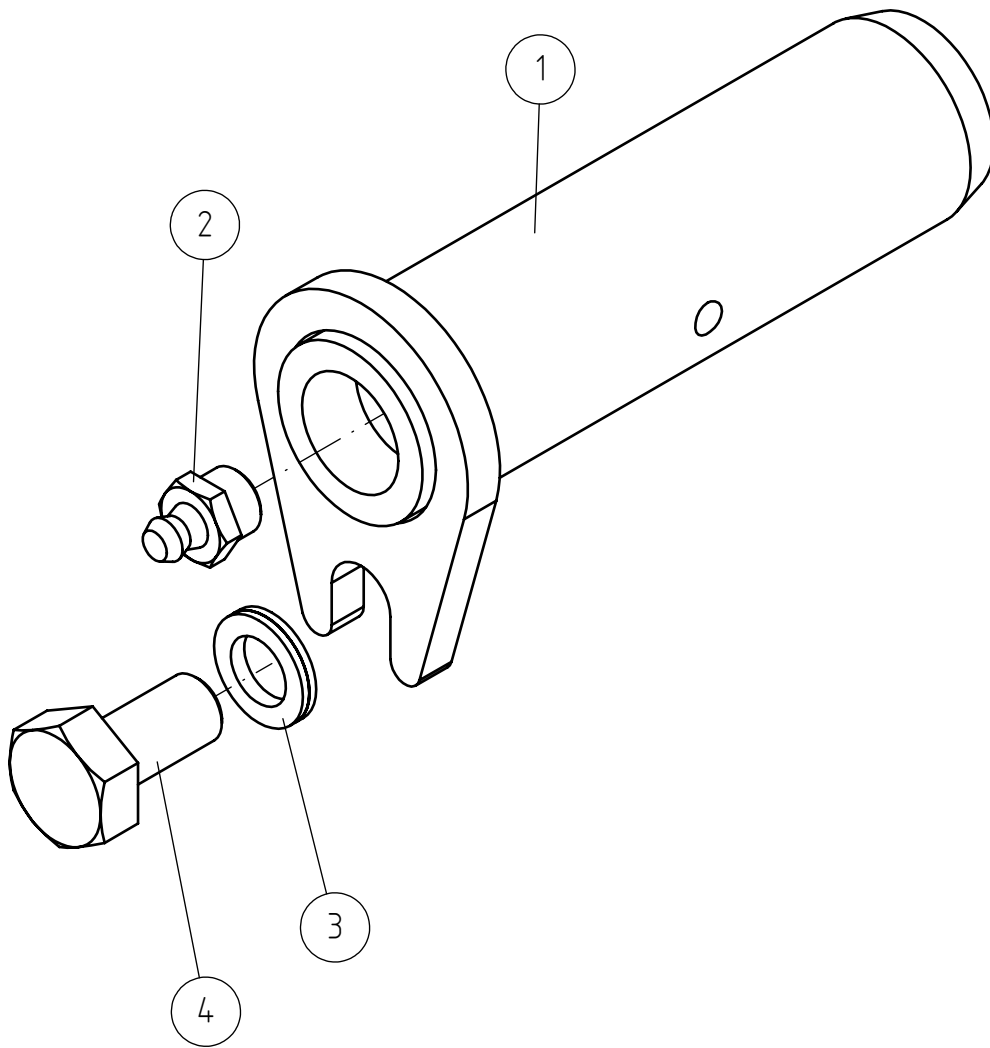
24.5.2023

A425252 END PLATE RIGHT ASSEMBLY ZOOM SNOW PLOW

REF	PART NO	QTY	DESCRIPTION	NOTES	PAGE
1	A425193	1	END PLATE RIGHT ZOOM SNOW PLOW		-
2	A425247	1	SKID PLATE END PLATE RIGHT ZOOM SNOW PLO		-
3	A425211	4	RUBBER MOUNT ZOOM SNOW PLOW		-
4	A425225	1	CUTTING EDGE END PLATE ZOOM SNOW PLOW		-
5	A425265	1	MOUNTING PLATE RUBBER EDGE ZOOM SNOW PLO		-
6	A425266	4	BUSHING		-
7	74915	4	CARRIAGE BOLT M12*40 DIN603		-
8	72324	4	HEXAGONAL NUT M 12 NYLOC DIN 985		-
9	A433453	1	CARRIAGE BOLT M16*65 DIN603		-
10	74456	1	WASHER M16 R18 DIN 440 ZN		-
11	72330	2	HEXAGONAL NUT M16 NYLOC DIN 985		-
12	74910	1	CARRIAGE BOLT M16*40 DIN603		-

24.5.2023

A422810 PIVOT PIN F30-99



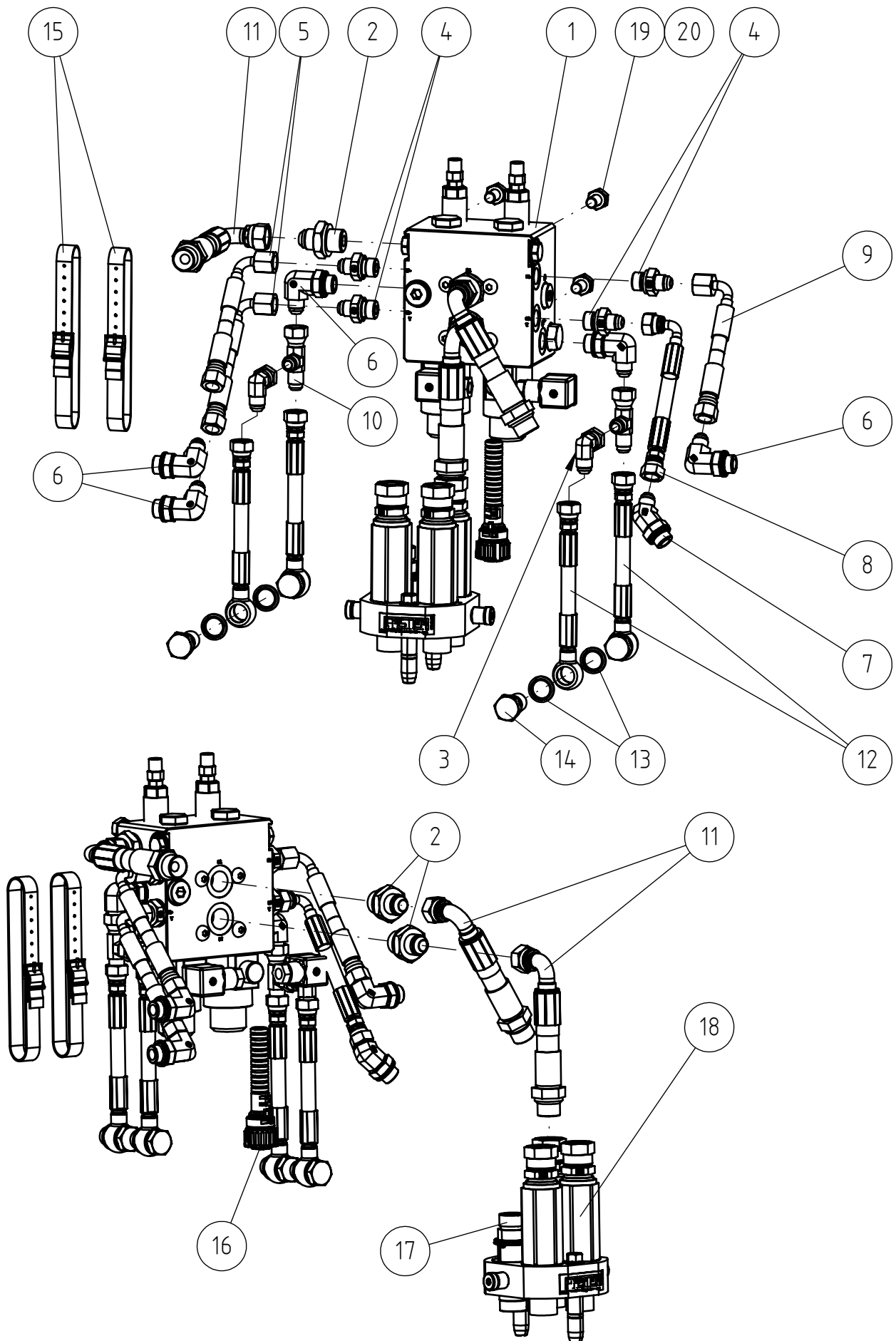
24.5.2023

A422810 PIVOT PIN F30-99

REF	PART NO	QTY	DESCRIPTION	NOTES	PAGE
1	A48424	1	PIVOT PIN L=107		-
2	72798	1	GREASE NIPPLE R 1/8" STRAIGHT		-
3	74531	1	SPACER NORDLOCK M10, PAIR		-
4	73040	1	HEXAGONAL SCREW M10*20 DIN 933 ZN		-

24.5.2023

A450830 HYDRAULIC COMPONENTS ZOOM SNOW PLOW SER2



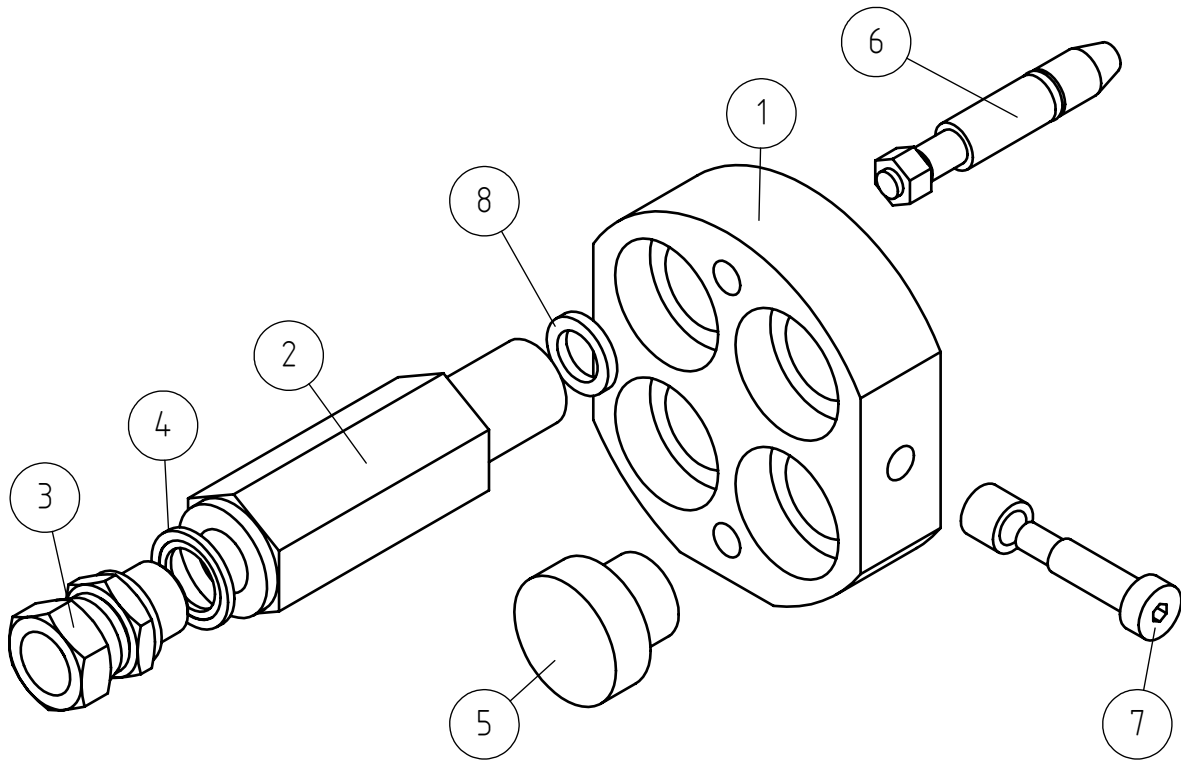
24.5.2023

A450830 HYDRAULIC COMPONENTS ZOOM SNOW PLOW SER2

REF	PART NO	QTY	DESCRIPTION	NOTES	PAGE
1	A443781	1	CONTROL VALVE 12V 10/4 U SNOW PLOW		-
1.1	66391	1	SOLENOID 12VDC/30W		-
1.2	A436306	1	VENTILATION TUBE D15 SOLENOID		-
2	64058	3	BASIC FITTING F40XS12-1/2		-
3	64043	2	ELBOW FITTING 90° C6XS10		-
4	64041	4	BASIC FITTING F40XS10-3/8 /8		-
5	A410450	2	HYDR. HOSE L=500		-
6	64044	5	ELBOW FITTING 90° C40XS10-3/8 /8		-
7	65644	1	ELBOW FITTING 45° V40XS10-1/4		-
8	A430043	1	HYDR. HOSE L=300		-
9	A410479	1	HYDR. HOSE L=800		-
10	64078	2	L-FITTING BODY R6XS10		-
11	A417664	3	HYDR. HOSE L=1900		-
12	A453399	4	HYDR. HOSE L=1300		-
13	73379	8	USIT-COMPRESSION 3/8"		-
14	73954	4	BANJO BOLT R3/8" L=29		-
15	64146	2	BINDING STRAP WITH CLIP, BLACK, L=400		-
16	A444425	1	WIRE HARNESS 2 SOLENOIDS ZOOM SNOW PLOW		-
17	A36679	1	ADAPTOR: 7-PIN WIRE => SOCKET MULTI		-
18	65250	1	MULTI CONNECTOR, 3 CONNECTORS ON ATTACHM		24
19	73040	4	HEXAGONAL SCREW M10*20 DIN 933 ZN		-
20	74531	4	SPACER NORDLOCK M10, PAIR		-
21	A452274	2	HOSE PROTECTION SPIRAL 1.25M		-
22	A430730	1	HOSE PROTECTION SPIRAL, 1.8M		-

24.5.2023

65250 MULTI CONNECTOR, 3 CONNECTORS ON ATTACHM



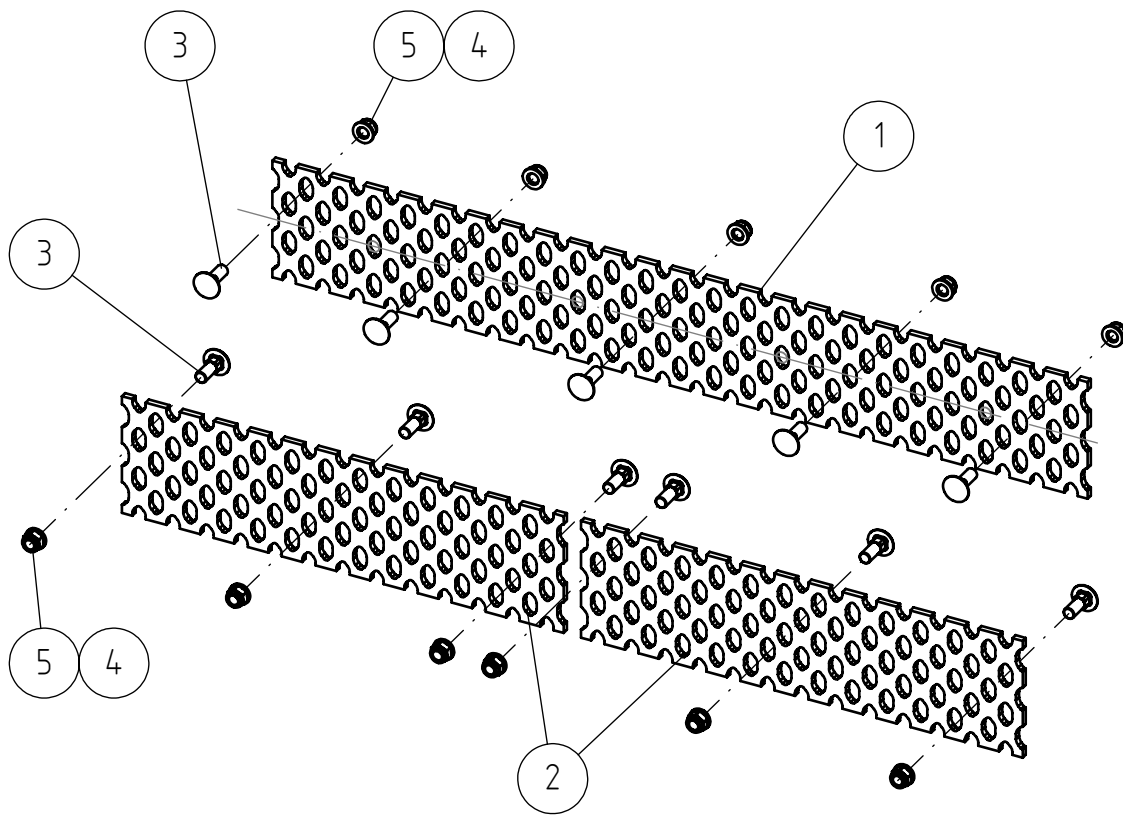
24.5.2023

65250 MULTI CONNECTOR, 3 CONNECTORS ON ATTACHM

REF	PART NO	QTY	DESCRIPTION	NOTES	PAGE
1	65628	1	MULTIFASTER MOBILE BLOCK PART KIT P508 M		-
2	65627	1	CHECK VALVE CARTRIDGE KIT3FNP1220_AT		-
3	65600	1	CONNECTOR NIPPLE 1/2" UK		-
4	73047	1	USIT SEAL RING R/12"		-
5	65626	1	PLUG, MULTI CONNECTOR, KIT TSP 12 M		-
6	65878	1	GUIDE PIN MULTIFASTER KIT GP 4		-
7	65879	1	LOCKING PIN MULTIFASTER KIT VP8		-
8	65880	1	SEAL RING, MULTI CONNECTOR SK MF 12		-

24.5.2023

A444615 ICE SCRAPER EDGES, KIT, ZOOM SNOW PLOW



24.5.2023

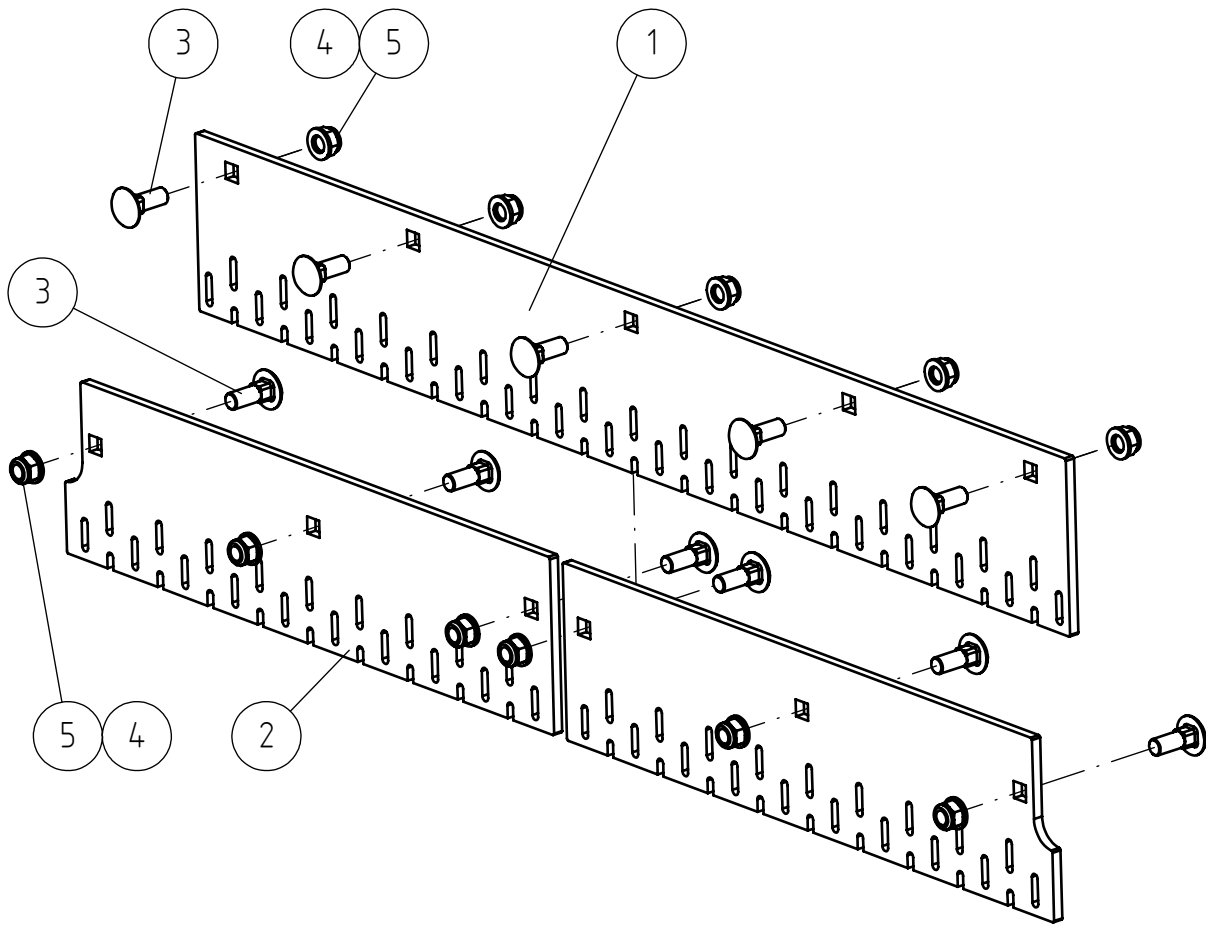
A444615 ICE SCRAPER EDGES, KIT, ZOOM SNOW PLOW

REF	PART NO	QTY	DESCRIPTION	NOTES	PAGE
1	65929	1	ICE SCRAPER BLADE 10*180-1220		-
2	A425368	2	ICE SCRAPER BLADE 10X180-660		-
3	74404	11	CARRIAGE BOLT M16*45 DIN603		-
4	A430193	11	WASHER M16 A17 DIN 125		-
5	72330	11	HEXAGONAL NUT M16 NYLOC DIN 985		-

24.5.2023

Option

A437890 ICE SCRAPER BLADES, KIT, ZOOM SNOW PLOW



24.5.2023

Option

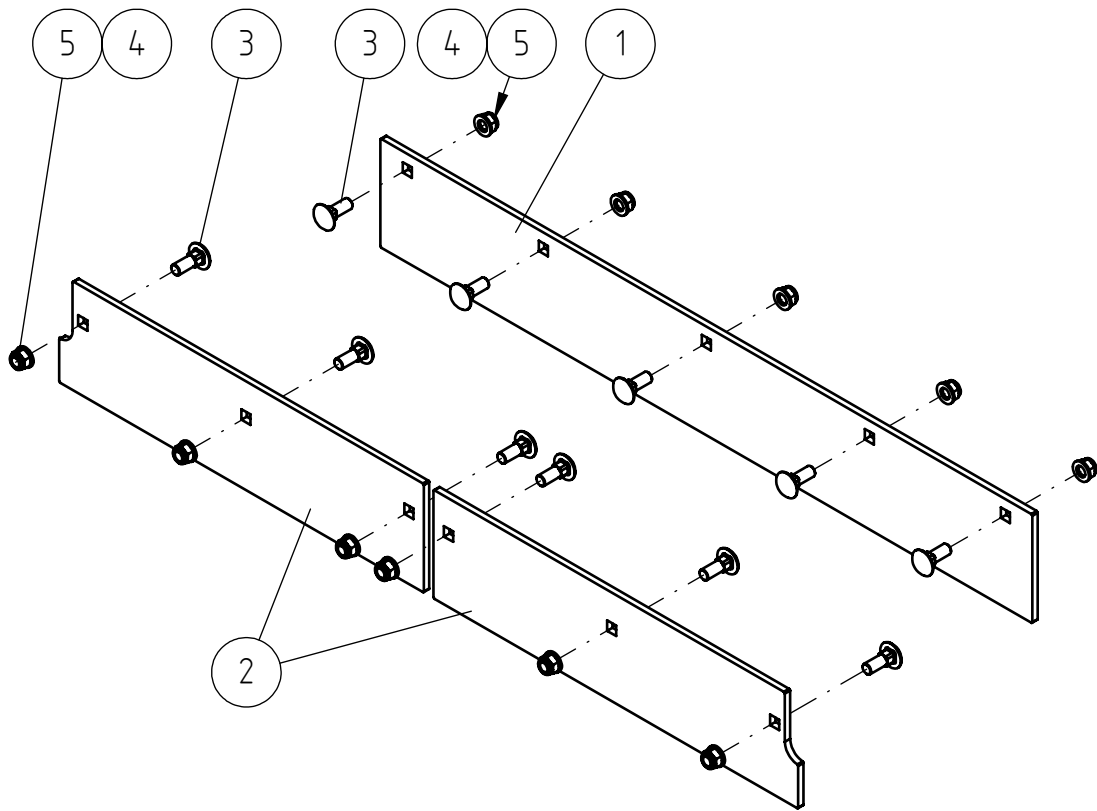
A437890 ICE SCRAPER BLADES, KIT, ZOOM SNOW PLOW

REF	PART NO	QTY	DESCRIPTION	NOTES	PAGE
1	A435108	1	ICE SCRAPER EDGE CENTER L=1219 ZOOM SNOW		-
2	A435112	2	ICE SCRAPER EDGE L=682 ZOOM SNOW PLOW		-
3	74404	11	CARRIAGE BOLT M16*45 DIN603		-
4	A430193	11	WASHER M16 A17 DIN 125		-
5	72330	11	HEXAGONAL NUT M16 NYLOC DIN 985		-

24.5.2023

Option

A437891 PLAIN CUTTING EDGE, KIT, ZOOM SNOW PLOW



24.5.2023

Option

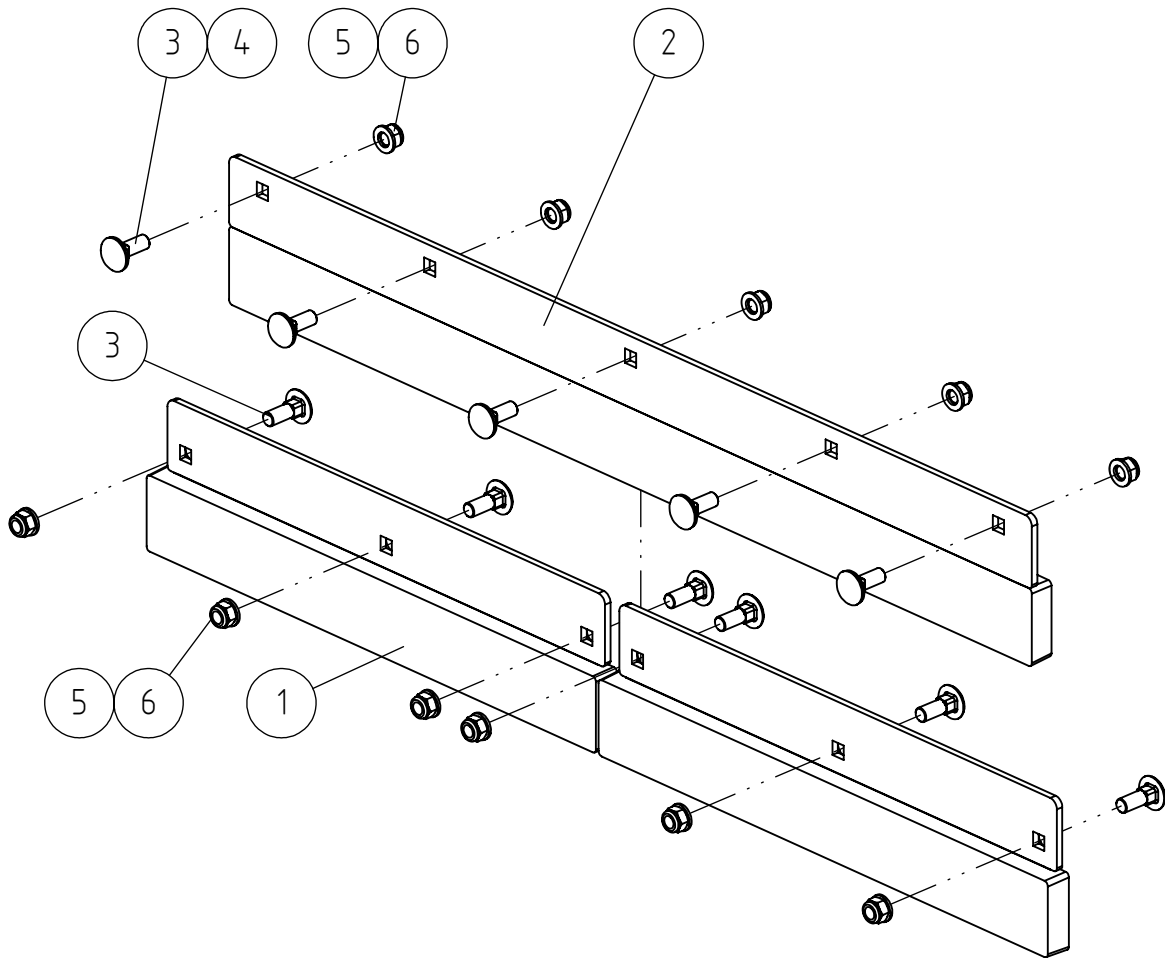
A437891 PLAIN CUTTING EDGE, KIT, ZOOM SNOW PLOW

REF	PART NO	QTY	DESCRIPTION	NOTES	PAGE
1	A437893	1	CUTTING EDGE MIDDLE STRAIGHT ZOOM SNOW		-
2	A437895	2	CUTTING EDGE SIDE STRAIGHT ZOOM SNOW		-
3	74404	11	CARRIAGE BOLT M16*45 DIN603		-
4	A430193	11	WASHER M16 A17 DIN 125		-
5	72330	11	HEXAGONAL NUT M16 NYLOC DIN 985		-

24.5.2023

Option

A431475 RUBBER CUTTING EDGES, KIT, ZOOM SNOW



24.5.2023

Option

A431475 RUBBER CUTTING EDGES, KIT, ZOOM SNOW

REF	PART NO	QTY	DESCRIPTION	NOTES	PAGE
1	A431470	2	RUBBER CUTTING EDGE SHORT WITH BRACKET		-
2	A431472	1	RUBBER CUTTING EDGE LONG WITH BRACKET		-
3	74404	11	CARRIAGE BOLT M16*45 DIN603		-
4	74740	11	WASHER M22 A23 DIN 125		-
5	A430193	11	WASHER M16 A17 DIN 125		-
6	72330	11	HEXAGONAL NUT M16 NYLOC DIN 985		-

AVANT[®]

Varaosat Spare parts

Manufacturer:

AVANT[®]

AVANT TECNO OY

e-mail: sales@avanttecho.com

Ylötie 1

33470 Ylöjärvi

FINLAND

Tel. +358 3 347 8800

Fax +358 3 348 5511